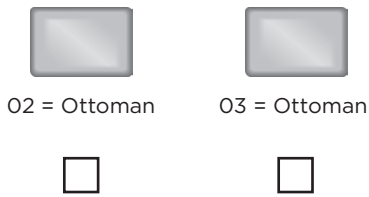
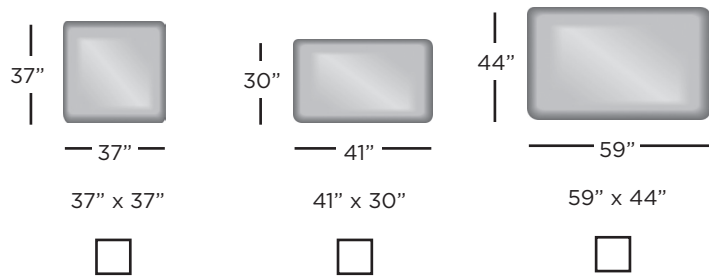


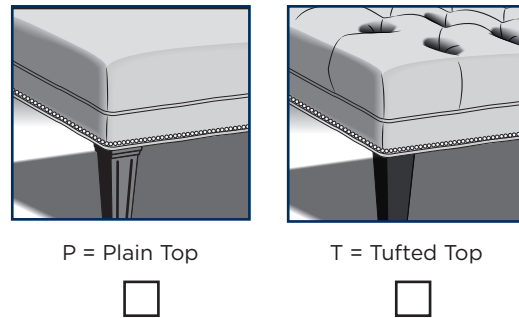
## 1 Choose your frame



## 2 Choose your size

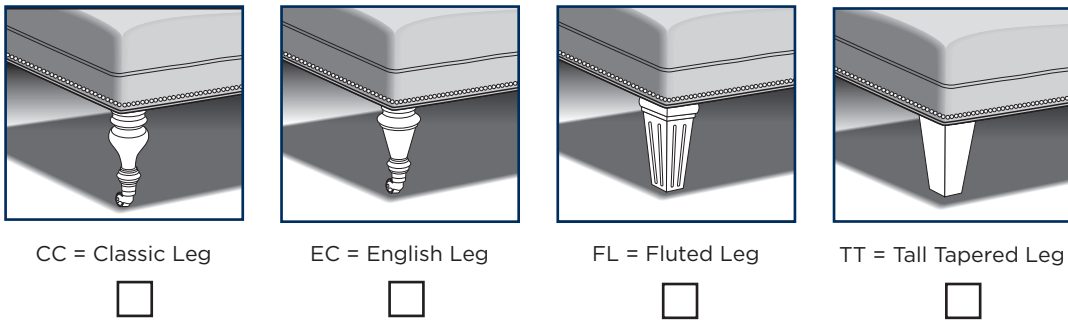


## 4 Choose your top

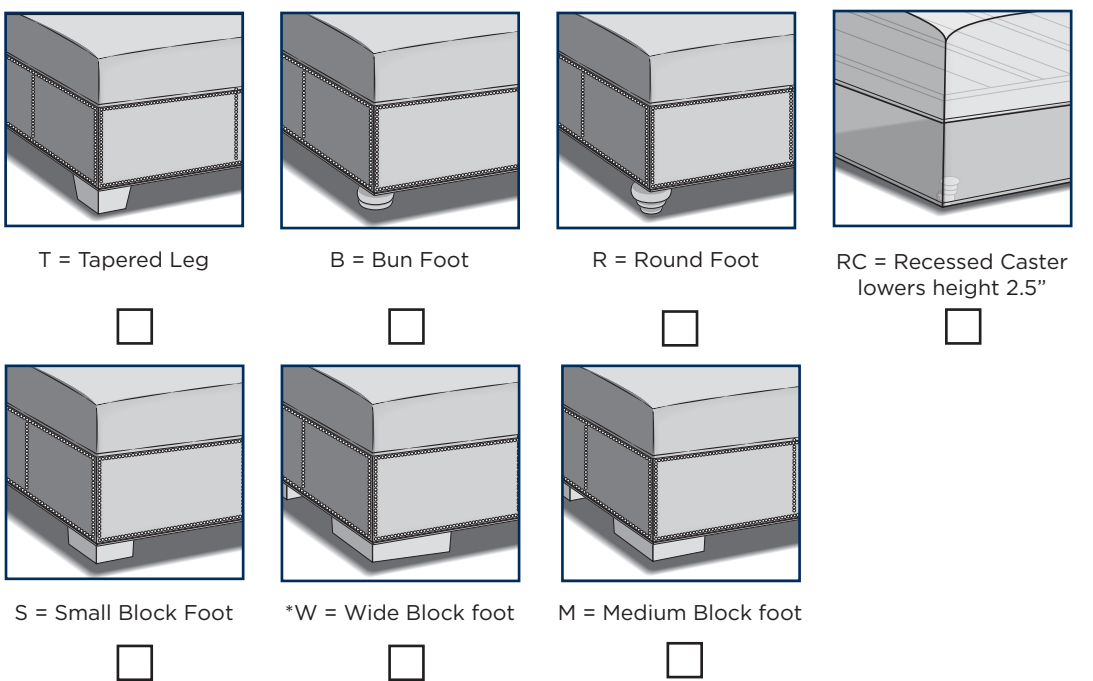


## 3 Choose your base

Base options for 02 Your Way Cocktail Ottoman:



Base options for 03 Your Way Cocktail Ottoman:



\* Recessed Casters only available on 03 Ottoman

Example ordering for front side of sheet:

Step 1 - Choose your frame (Y01 = chair)	Y01	<input type="checkbox"/>
Step 2 - Choose your depth (S = standard depth)	S	<input type="checkbox"/>
Step 3 - Choose your arm (RS = Roll arm, straight cushion)	RS	<input type="checkbox"/>
Step 4 - Choose your back (BS = square box border)	BS	<input type="checkbox"/>
Step 5 - Choose your base (T = Tapered Leg)	T	<input type="checkbox"/>

Ex. Style Number = **Y01 S RS BS T**

Example ordering for cocktail ottomans:

Step 1 - Choose your frame (O2 = Ottoman)	YO2	<input type="checkbox"/>
Step 2 - Choose your size (37x37)	3737	<input type="checkbox"/>
Step 3 - Choose your base (T = Tapered Leg)	T	<input type="checkbox"/>
Step 4 - Choose your top (P = Plain Top)	P	<input type="checkbox"/>

Ex. Style Number = **YO23737 T P**

**\*\*All lines below must be completed. One sheet per item with the exception of sectionals.\*\***

Store \_\_\_\_\_

Contact \_\_\_\_\_

Email \_\_\_\_\_

Date \_\_\_\_\_ Purchase Order # \_\_\_\_\_

Style # \_\_\_\_\_

Cover \_\_\_\_\_

\*Finish \_\_\_\_\_ \*Nails \_\_\_\_\_

\*Cushion Fill \_\_\_\_\_ Quantity \_\_\_\_\_