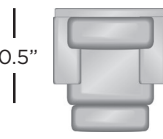
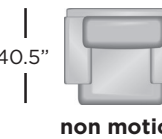
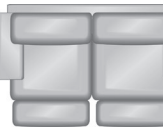
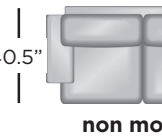
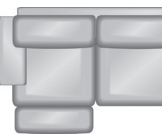
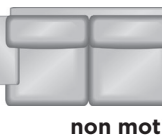














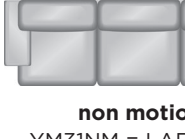
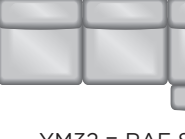
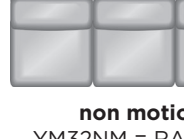




## 1 Choose your frame

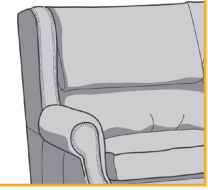
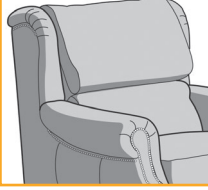
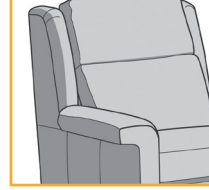

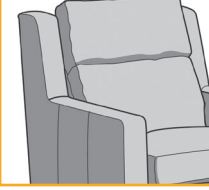
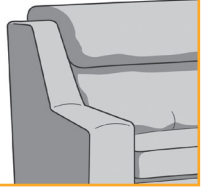
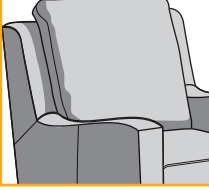
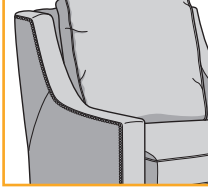
Dimensions will vary based on arm selection. Widths are based on the Epic Arm and are approximate. (See back of sheet for chart)

 40.5"   67.5" YM36 = Recliner 38" <input type="checkbox"/>	 40.5" non motion YM36NM = Chair 38" <input type="checkbox"/>	 40.5"   67.5" YM64 = Loveseat 67" <input type="checkbox"/>	 40.5"   67.5" non motion YM64NM = Loveseat 67" <input type="checkbox"/>	 40.5"   67.5" YM90 = Sofa 93" <input type="checkbox"/>	 40.5"   67.5" non motion YM90NM = Sofa 93" <input type="checkbox"/>	 40.5"   48" non motion YM14NM = Corner 40.5" 48" <input type="checkbox"/>			
<b>M116 sofa comes in two pieces.</b>									
 YM116 = 4 Seat Sofa 116" <input type="checkbox"/>	 YM10 = Armless 26" <input type="checkbox"/>	 non motion YM15NM = Armless 26" <input type="checkbox"/>	 YM11 = LAF Recliner 33.5" <input type="checkbox"/>	 YM12 = RAF Recliner 33.5" <input type="checkbox"/>	 non motion YM11NM = LAF Chair 33.5" <input type="checkbox"/>	 non motion YM12NM = RAF Chair 33.5" <input type="checkbox"/>	 YM21 = LAF Loveseat 56" <input type="checkbox"/>	 non motion YM21NM = LAF Loveseat 56" <input type="checkbox"/>	 non motion YM13NM = Quarter Round 48" <input type="checkbox"/>
 YM22 = RAF Loveseat 56" <input type="checkbox"/>	 non motion YM22NM = RAF Loveseat 56" <input type="checkbox"/>	 YM31 = LAF Sofa 80" <input type="checkbox"/>	 non motion YM31NM = LAF Sofa 80" <input type="checkbox"/>	 YM32 = RAF Sofa 80" <input type="checkbox"/>	 non motion YM32NM = RAF Sofa 80" <input type="checkbox"/>	 non motion YM41NM = LAF Chaise 32" <input type="checkbox"/>	 non motion YM42NM = RAF Chaise 32" <input type="checkbox"/>		

## 2 Choose your arm

Note: Choosing motion on the left and right of any corner/quarter piece will create an obstruction with both recliners open at the same time.

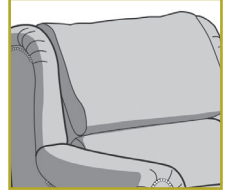
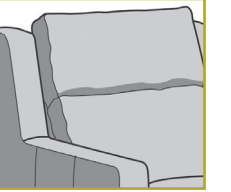
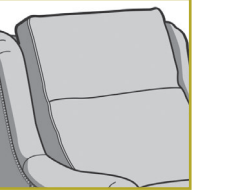
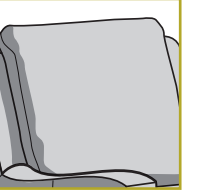
There is no charge to omit nails on selections standard with nails. There is a charge to add nails to a selection standard without nails.

 EA (Epic Arm) 7.5" arm width *A nail standard <input type="checkbox"/>	 WA (Westwood Arm) 7.5" arm width *A/AA nail standard <input type="checkbox"/>	 GA (Ghent Arm) 7.5" arm width *No nails <input type="checkbox"/>	 SA (Sundance Arm) 5" arm width 2.5" less width per arm *A/AA nail standard <input type="checkbox"/>	 TA (Track Arm) 5.5" arm width 2" less width per arm *No nails <input type="checkbox"/>	 WT (Wide Track Arm) 9" arm width add 1.5" width per arm *No nails <input type="checkbox"/>	 AA (Ansel Arm) 6.5" arm width 1" less width per arm *No nails <input type="checkbox"/>	 MO (Moselle Arm) 4" arm width 3.5" less width per arm *A nail standard <input type="checkbox"/>
---	--	---	--	--	--	--	---

**Only Available with Wide Block Foot**

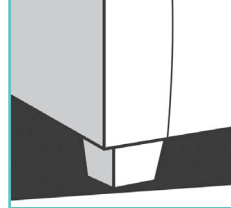
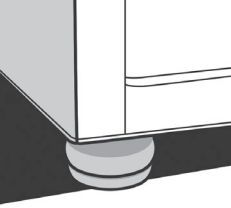
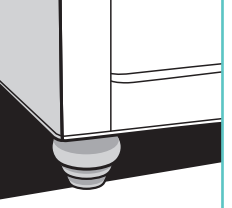
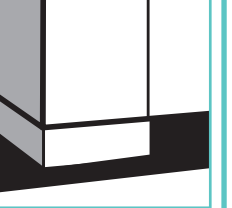
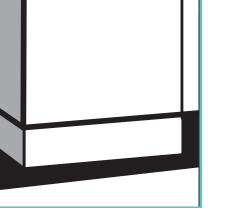
## 3 Choose your back

\*Need approximately 4" from wall for reclining position.

 BB = Bustle Back <input type="checkbox"/>	 SB = Split Back <input type="checkbox"/>	 OP = One Piece Back <input type="checkbox"/>	 PB = Plain Back <input type="checkbox"/>
---	--	--	---


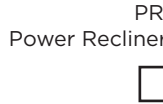
## 4 Choose your base

\*Wide Block foot is only available with the Wide Track Arm.

 T = Tapered Leg <input type="checkbox"/>	 B = Bun foot <input type="checkbox"/>	 R = Round foot <input type="checkbox"/>	 S = Small Block foot <input type="checkbox"/>	 *W = Wide Block foot <input type="checkbox"/>
--	---	---	--	---

**Only Available with Wide Track Arm**

## 5 Choose your power

 PR Power Recliner <input type="checkbox"/>	 PRB Power Recliner with Battery <input type="checkbox"/>
---	---

Step 1 - Choose your frame (YM36 = recliner)	YM36	<input type="checkbox"/>
Step 2 - Choose your arm (EA)	EA	<input type="checkbox"/>
Step 3 - Choose your back (BB = Bustle Back)	BB	<input type="checkbox"/>
Step 4 - Choose your base (T = Tapered Leg)	T	<input type="checkbox"/>
Step 5 - Choose your power (PR = Power Recliner)	PR	<input type="checkbox"/>

Ex. Style Number = **YM36 EA BB T PR**

**ALL STYLES IN THIS PROGRAM:**

- In addition to the regular reclining power, each style has a power articulating headrest and is only available with power.
- Each style has a 4 button power switch with a home button with USB charger located on the inside of the arm.

\*\*All lines below must be completed. One sheet per item with the exception of sectionals.\*\*

Store \_\_\_\_\_

Contact \_\_\_\_\_

Email \_\_\_\_\_

Date \_\_\_\_\_ Purchase Order # \_\_\_\_\_

Style # \_\_\_\_\_

Cover \_\_\_\_\_

\*Finish \_\_\_\_\_ \*Nails \_\_\_\_\_

\*Cushion Fill \_\_\_\_\_ Quantity \_\_\_\_\_

102020 \*See price list for options and related upcharges.

**Overall Width by Frame with Arm Choice**

Frame / Arm	EA (Epic Arm)	WA (Westwood Arm)	GA (Ghent Arm)	SA (Sundance Arm)	TA (Track Arm)	WT (Wide Track Arm)	AA (Ansel Arm)	MO (Moselle Arm)
YM10 Armless Recliner	26"	26"	26"	26"	26"	26"	26"	26"
YM11 LAF Recliner	33.5"	33.5"	33.5"	31"	31.5"	35"	32.5"	30"
YM11NM LAF Chair	33.5"	33.5"	33.5"	31"	31.5"	35"	32.5"	30"
YM12 RAF Recliner	33.5"	33.5"	33.5"	31"	31.5"	35"	32.5"	30"
YM12NM RAF Chair	33.5"	33.5"	33.5"	31"	31.5"	35"	32.5"	30"
YM13NM Quarter Round	48"	48"	48"	48"	48"	48"	48"	48"
YM14NM Armless Corner	40.5"	40.5"	40.5"	40.5"	40.5"	40.5"	40.5"	40.5"
YM15NM Armless Chair	26"	26"	26"	26"	26"	26"	26"	26"
YM21 LAF Recliner Loveseat	56"	56"	56"	53.5"	54"	57.5"	55"	63.5"
YM21NM LAF Loveseat	56"	56"	56"	53.5"	54"	57.5"	55"	63.5"
YM22 RAF Recliner Loveseat	56"	56"	56"	53.5"	54"	57.5"	55"	63.5"
YM22NM RAF Loveseat	56"	56"	56"	53.5"	54"	57.5"	55"	63.5"
YM31 LAF Recliner Sofa	80"	80"	80"	77.5"	78"	81.5"	79"	76.5"
YM31NM LAF Sofa	80"	80"	80"	77.5"	78"	81.5"	79"	76.5"
YM32 RAF Recliner Sofa	80"	80"	80"	77.5"	78"	81.5"	79"	76.5"
YM32NM RAF Sofa	80"	80"	80"	77.5"	78"	81.5"	79"	76.5"
YM36 Recliner	38"	38"	38"	33"	34"	41"	36"	31"
YM36NM Chair	38"	38"	38"	33"	34"	41"	36"	31"
YM41NM LAF Chaise	32"	32"	32"	29.5"	30"	33.5"	31"	28.5"
YM42NM RAF Chaise	32"	32"	32"	29.5"	30"	33.5"	31"	28.5"
YM64 Recliner Loveseat	67"	67"	67"	62"	63"	70"	65"	60"
YM64NM Loveseat	67"	67"	67"	62"	63"	70"	65"	60"
YM90 Recliner Sofa	93"	93"	93"	88"	89"	96"	91"	86"
YM90NM Sofa	93"	93"	93"	88"	89"	96"	91"	86"
YM116 4 Seat Recliner Sofa	116"	116"	116"	111"	112"	119"	114"	109"



**Power Switch**

- Front two buttons adjust foot rest
- Back two buttons adjust head rest
- Center button is Home
- Four button remote standard on armless pieces
- On a PRB, USB port will reduce the length of time the battery will hold a charge



**Armless Recliner Remote**

**To ensure your sectional is properly built, please use the diagram & chart below to configure all pieces in the proper order.**



**From Left to Right:**

- First Piece: YM31-NM Non Motion LAF Sofa
- Second Piece: YM13 Quarter Round
- Third Piece: YM15 Armless Chair
- Fourth Piece: YM42-NM RAF Chaise